

INNOVATION TO MAKE IT FIRST, 从**创新**开始
以**质量**久远 QUALITY TO MAKE IT LAST.



BLAIR

RUBBER COMPANY

THE LEADER IN PRIMARY AND SECONDARY CONTAINMENT
CORROSION RESISTANT LININGS

WORLDWIDE

布莱尔
橡胶公司

全球的防腐衬里材料的领导者



ISO 9001:2008 Certified

www.blairrubber.com

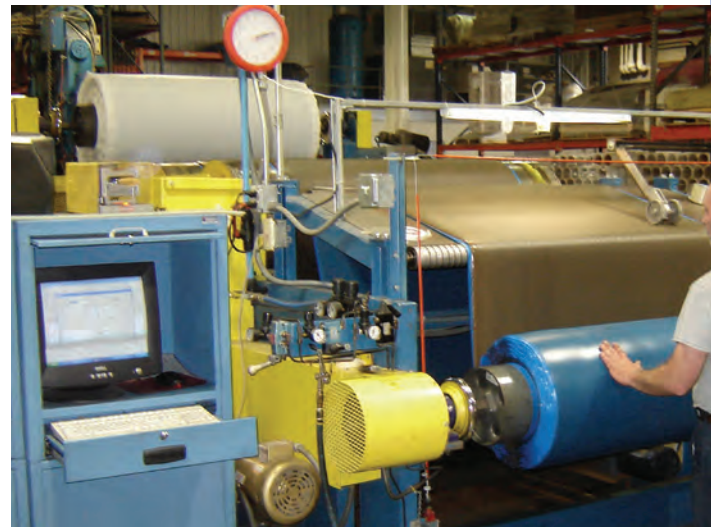
About Us

Blair Rubber Company is the only full service manufacturer in North America that has a complete line of corrosion resistant rubber linings. Since inception, Blair has consistently invested in research and development to improve existing products and bring new products to market.

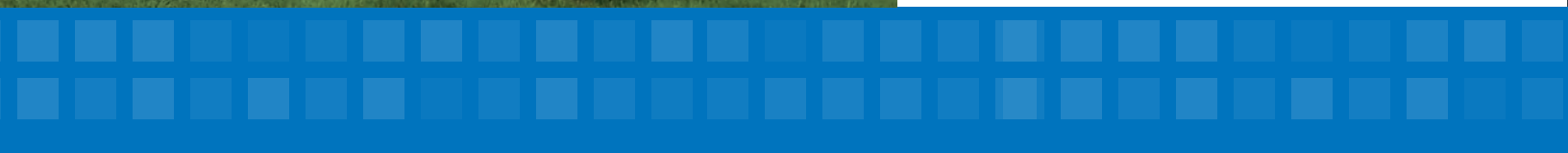
Since 1981, Blair's staff has been dedicated to manufacturing and improving one product - rubber linings. A focus from which evolved an unparalleled knowledge base of chemicals, applications, and the successful installation of rubber linings. Blair is always ready to help by offering Teamwork, Dedication, Quality, Experience and Support.

Blair International

In the 1990's, Blair began exporting rubber linings to China and Israel. Since that time Blair Rubber Company has established a global presence earning a worldwide reputation for high quality, reliable linings and outstanding customer service. Blair has local representatives in China, Israel, Mexico, India, Saudi Arabia, Peru, Chile and Venezuela, among others, providing regional sales, support and applicator information. Blair's international staff, located in their U.S. headquarters, provides sales and support of the balance of the global market. For more information and regional contacts, please visit the Blair Rubber website at www.blairrubber.com.



Our manufacturing process involves complete traceability from the raw materials, to testing, to full inspection of every roll that is shipped. At Blair, we strive to provide all our customers with the most reliable product, recommending the right installers for your job, and providing you with a variety of linings to ensure proper transport, storage and corrosion protection against chemicals.



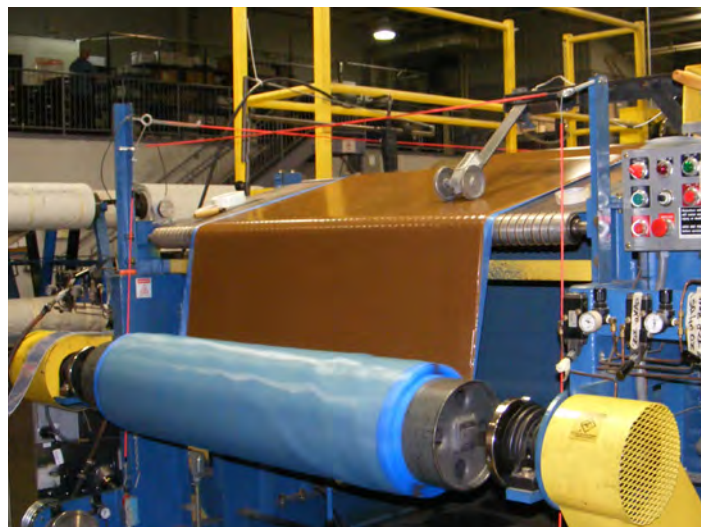
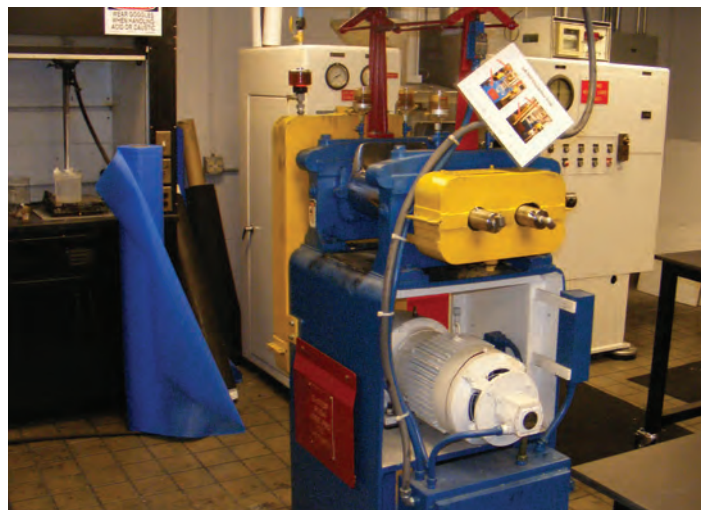
关于我们

布莱尔橡胶是北美唯一一家拥有全面服务的橡胶衬里生产商，并且提供完整系列的防腐蚀橡胶衬里。布莱尔自成立以来，不断投资研发，改进现有产品并向市场推出新产品。

自1981年起，布莱尔的团队致力于生产和改进橡胶衬里。通过对该领域的集中投入，布莱尔积累了大量化学材料、施工应用和成功衬胶的经验。布莱尔始终为客户提供专业的团队合作、敬业的服务精神、完美的产品质量，丰富的应用经验和及时有效的技术支持。

布莱尔国际

从上世纪90年，布莱尔出口橡胶衬里至中国和以色列。自那时起，开始建立全球性的业务网络，并且以高质量的产品，可靠的施工以及良好的服务享誉全球。布莱尔在中国、以色列、墨西哥、印度、沙特阿拉伯、秘鲁，智利和委内瑞拉等地区建立了当地的销售网络，技术支持和应用。位于美国总部的国际业务部会为上述地区以外的客户提供销售和支持。欲了解更多信息和各个地区的联系方式，请访问 www.blairrubber.com。



布莱尔对制造过程施行全过程追溯，包括原材料-材料测试-生产中的全面监测。布莱尔努力为客户提供最可靠的产品，推荐正确的衬里施工程序，来保证橡胶衬里在运输，储存和工作状态下不受化学品的侵蚀。

Blair Product Lines

Primary Containment Linings

Enduraflex™

The Enduraflex™ lining series features a comprehensive selection of resilient, protective rubber linings available in soft natural rubber, synthetic rubber, semi-hard linings, tri-bond™ construction and chemical cure.

Goodyear Plioweld™

Goodyear Plioweld™ is available in soft natural, chlorobutyl, semi-hard, neoprene, and chemical cure linings.

Crislip™

Crislip chlorobutyl rubber lining system is ideal for oxidizing solutions, such as bleach and locations that require ozone and oxidation resistance.

Marflex™

The Marflex™ lining system is available in soft natural, semi-hard, and chlorobutyl linings.

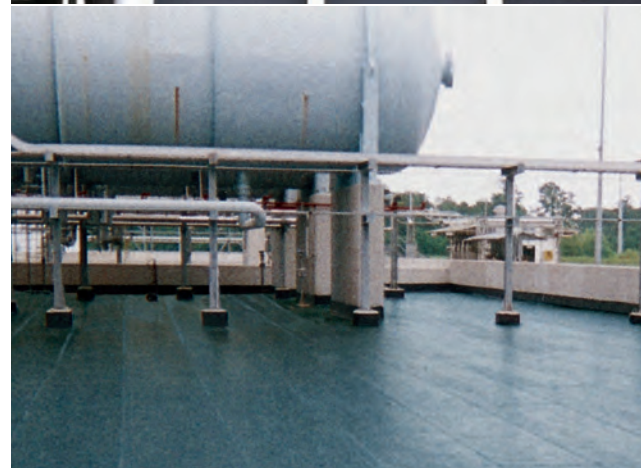
Endurabond™

Extend the life of your rubber lining with Endurabond™ cement system for excellent adhesion of linings to metal surfaces.

Secondary Containment Linings

MARSEAL®

MARSEAL® flexible sheet membranes combined with hot-air welded seam construction provide absolute security in secondary containment.



布莱尔衬胶产品

主要产品

Enduraflex™

Enduraflex™ 衬胶系列的特点是其弹性具有广泛的可选择性，这种橡胶衬里包括：天然软质橡胶、合成橡胶、半硬质橡胶，三层胶板混合体系和化学硫化胶板。

Goodyear Plioweld™

Goodyear Plioweld™ 包括：天然软质橡胶、氯化丁基橡胶、半硬质橡胶、氯丁（二烯）橡胶和化学硫化胶板。

Crislip™

Crislip氯化丁基橡胶系列是专为抗氧化衬胶设计的，例如有漂白要求的设备或是那些要求抗臭氧氧化的设备。

Marflex™

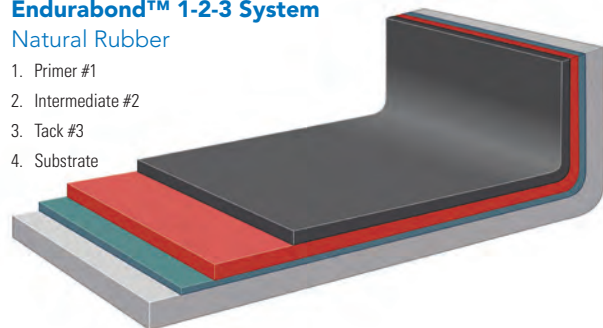
Marflex™ 包括：天然软质橡胶，半硬质橡胶和氯化丁基橡胶。

Endurabond™

Endurabond™ 系统对金属表面有着完美的附着力，保证衬胶有更长的使用年限。

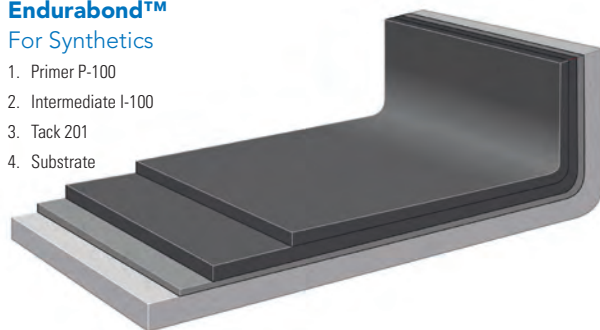
Endurabond™ 1-2-3 System Natural Rubber

1. Primer #1
2. Intermediate #2
3. Tack #3
4. Substrate



Endurabond™ For Synthetics

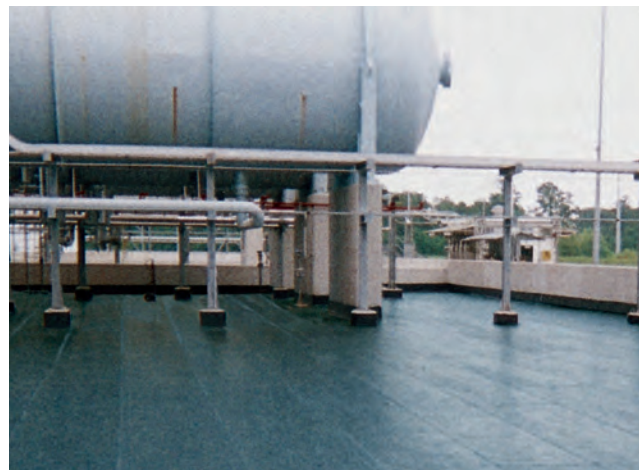
1. Primer P-100
2. Intermediate I-100
3. Tack 201
4. Substrate



衍生产品

MARSEAL®

MARSEAL® 拥有更灵活的粘合能力，提供更良好的应用性能。



Contact Blair Before Your Applicator Lines It

Blair's rubber linings have successfully protected such equipment as FGD scrubber units, chemical processing and storage tanks, rail road tankcars, sewage disposal units, food processing tanks, flanged pipes and fittings, electroplating equipment, separators, fans and fan housings, fume ducts and hundreds of other applications. These resilient protective rubber linings can be applied to steel, aluminum, or practically any other metal.



Primary Containment Linings

Semi-Hard Rubber

Blair's **semi-hard** rubber tank linings offer excellent resistance to various chemical services. These linings include natural rubber, natural synthetic rubber blends and natural rubber-graphite reinforced stocks. These compounds are formulated for services involving wet chlorine, strong acids at high operating temperatures, plating solutions and water conditioning equipment. All have a soft tie gum for maximum adhesion to steel.

Tri-Bond Rubber

Blair's **Tri-bond** rubber linings are designed with a triple layer construction consisting of a soft/semi-hard/soft combination of rubber. Linings are specially compounded for steel pickling lines, halogen acid services, as well as many other solutions, and offer resistance to thermal shock, abrasion and flexing fatigue.

Fabricated from Blair's specialized rubber compounds and exclusive bonding processes, **Enduraflex™**, **Plioweld™**, **Marflex™**, and **Crislip™** rubber linings offer you outstanding service-life and dependable performance.





在您需要衬胶时，请先联系布莱尔橡胶。

主要产品

半硬质橡胶

布莱尔的半硬质橡胶衬里对各种化学介质具有出众的耐化学性能。这些衬里包括：天然橡胶衬里、天然-合成橡胶衬里和天然橡胶-石墨加固衬里。研制这些衬是为了保护在高温条件下除氯，储存强酸等设备，以及电镀设备和水处理设备的防腐蚀。所有的这些衬胶都有软性粘胶层，使衬胶最大程度地粘附于钢铁基材上。

三层胶板体系衬里

布莱尔的这种橡胶体系为三层结构，由软质橡胶/半硬质橡胶/软质橡胶结合而成。这种橡胶衬里经专业组合，适用于钢铁酸洗线、卤酸介质的防腐蚀处理，并且具有抗热冲击、抗磨损和良好的抗弯曲疲劳性能。

得益于布莱尔独特的橡胶工艺和粘结工艺，Enduraflex™、Plioweld™、Marflex™和Crislip™橡胶衬里经久耐用，性能可靠。



布莱尔的橡胶衬里能有效保护以下设备：FGD洗涤塔装置、化学品处理和储存槽、铁路油罐车、污水处理设备、食品加工罐、法兰及管道、电镀设备、分离器、风扇及风扇罩，烟管和数百种其它应用设备。这些具有弹性的保护性橡胶衬里适用于钢铁、铝以及几乎所有的其他类型的金属。



Industries & Application Areas

Chemical Storage and Transportation

From chemical storage tanks, pipelines, railcars and tank trucks, Blair Rubber Company is unparalleled in the chemical industry for manufacturing rubber linings that deliver long-term performance and dependability. With installations that have been in service for over 30 years, Blair has earned a reputation for quality and reliability in both primary and secondary containment. Blair manufactures over 90 rubber linings to provide protection for a full range of chemical storage and transportation applications; superior quality linings for sodium hypochlorite and other bleaches, phosphoric acid, HCL and a wide range of other chemicals that require corrosion protection.

Coal and Power Industry

Blair Rubber Company's high-performance corrosion resistant linings can be found throughout the power industry from fossil fuel to nuclear power plants. Blair linings protect all of the components encountered in flue gas desulfurization (FGD) and nuclear water treatment systems including processing pipes, slurry and process tanks, agitators, absorber towers and outlet flues. Blair linings provide superior corrosion protection, durability and reliability in this highly corrosive environment.

Mining and Mineral Processing

The multi-stage process to extract gold and minerals from ore requires highly corrosive chemicals at elevated temperatures with a high solids and highly abrasive content. Blair Rubber has developed a full-range of linings that perform exceptionally well in this harsh environment providing superior protection to all the processing areas and equipment.

Water Treatment

From industrial water treatment to deionization and water polishing, Blair manufactures the right rubber linings to protect tanks, piping and equipment from corrosion. In addition to excellent chemical resistance, Blair also offers a line of white / food grade linings offering ultra-pure water protection.



工业应用领域

化学储罐和运输储罐

从化学品的储存和运输，管道，轨道车和油罐车，布莱尔橡胶公司长期提供性能良好，可靠的橡胶衬里，并且在橡胶衬里行业中拥有无与伦比的名声。在超过30年的服务中，布莱尔依靠着过硬的质量和可靠性在主要产品和衍生产品中获得了良好的声誉。布莱尔橡胶为您提供超过90种优质橡胶衬里，全方位保护化学储罐和运输储罐，包括：次氯酸钠等漂白剂，磷酸储槽，盐储槽酸和其他化学品。

煤炭电力

布莱尔橡胶公司的高性能耐腐蚀橡胶衬里，从石化工艺到化核电厂，可以应用在整个电力行业中。布莱尔橡胶衬里亦可以保护烟道脱硫（FGD）和核动力水处理系统，包括处理管道，泥浆搅拌罐，搅拌器，吸收塔出口烟道中遇到的所有部件。布莱尔衬里在高度腐蚀的环境中有优异的表现，并且经久耐用和可靠性强。

矿业工程

从矿石中提取黄金和矿产，有着繁琐的工程。其中会接触到高腐蚀性的化学物质，在高温条件下并且含有高磨损性的固体物质。布莱尔橡胶已经开发了全套的耐腐蚀耐磨损橡胶衬里，在这种恶劣的操作环境中，可以为所有的矿业加工的设备提供卓越的保护。

水处理设备

从工业水处理去离子化到纯水机净化，布莱尔生产的橡胶衬里一直保护着水槽，管道和其它水处理设备。除了优良的耐化学性，布莱尔更能提供白色/食品级橡胶衬里为实验室超纯水机提供防护。

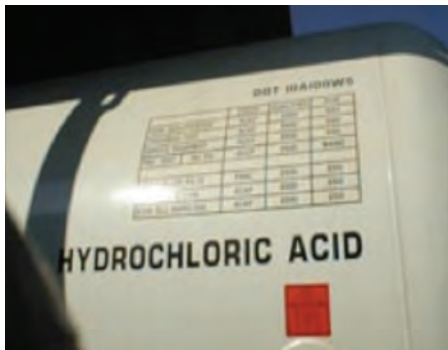




Primary Containment Linings 主要产品

Chlorobutyl Linings

Blair's **Chlorobutyl** linings have superior resistance to ozone, sunlight, and weathering with high-quality chemical and permeation resistance. They may be used for chemicals such as sodium hypochlorite, superphosphoric acid and sulfuric acid. Chlorobutyl is used in FGD scrubbers and mixed applications. Chlorobutyl is heat resistant to 210°F - 230°F (99°C - 121°C) for most acids.



EPDM Linings

Blair's **EPDM** linings have outstanding resistance to the ozone, sunlight and weather conditions. It is also resistant to chemical and oxygenated solvents. EPDM is generally used for oxidizing service conditions such as sodium or potassium chlorate and is heat resistant to 300°F (149°C).

Nitrile Linings

Blair's **Nitrile** linings are resistant to aliphatic hydrocarbons with good abrasion resistance. Nitrile is used in applications for special equipment where oil resistance is required and is heat resistant to 200°F (99°C).

Endurabond™

Innovative Adhesive Systems

The life of a rubber lining is, to a great extent, dependent on the continued adhesion of the rubber lining to the metal substrate. Over the years we have developed a quality adhesive system of bonding tank lining to the metal tank. The **Endurabond™** cement system results in excellent adhesion of the linings to the metal surface.

Chemcure™

Curing Agent

To be used as a replacement for highly flammable and extremely dangerous agents, **Chemcure™** is our exclusive non-flammable curing chemical catalyst for curing chemical cure style rubber tank linings.

Secondary Containment Linings

MARSEAL®

Secondary Containment Linings

MARSEAL® secondary containment linings are flexible sheet membranes that provide superior protection should your primary containment fail. **MARSEAL®** linings adhere to concrete surfaces to create a secure, seamless vessel. Compared to traditional liquid applied coatings, **MARSEAL®** linings will not crack when concrete cracks or moves and is virtually unaffected by UV radiation therefore requiring little to no ongoing maintenance.



Primary Containment Linings 主要产品

氯化丁基橡胶衬里

布莱尔的氯化丁基橡胶衬里有出众的耐臭氧性，耐光照性和耐候性，还具有优异的耐化学性和耐渗透性。这种材料可以用于次氯酸钠、过磷酸和硫酸等化学品的防腐蚀。氯化丁基橡胶衬里在FGD洗涤塔装置和其它混合应用设备中使用。氯化丁基橡胶衬里能抵抗绝大多数酸，并且能够承受的最高温度为99°C-121°C (210°F-230°F)。



EPDM 橡胶衬里

布莱尔的EPDM（三元乙丙橡胶）衬里有出众的耐臭氧性，耐光照性和耐候性。该产品同样具有良好的耐化学性能和抗氧化性能。EPDM橡胶衬里一般应用于需要抗氧化条件的设备中，例如钠或钾的氯化物，而且可以承受的温度高达149°C (300°F)。

腈基类橡胶衬里

布莱尔的腈基类橡胶衬里有良好的耐油性和耐磨性。腈基类橡胶常常用于要求有耐油性的设备中。能够承受99°C (200°F)的高温。

Endurabond™

创新粘合系统

橡胶衬里的使用寿命，很大程度上取决于橡胶衬里对金属基底的附着力。经过多年的试验，布莱尔研发出一种将衬里粘结到金属基材的优质粘合系统。

Endurabond™ 粘合系统的运用，使得衬里与金属表面达到完美结合。

Chemcure™

固化剂

可以用来替代易燃易爆和极其危险的产品，Chemcure™是布莱尔特有的不易燃硫化化学催化剂。

衍生产品

MARSEAL®

衍生产品

MARSEAL® 是一层更为灵活的表面处理膜。当橡胶衬里的保护失败时，能提供良好的补充保护来遏制防腐的失败。MARSEAL® 可以在混凝土的表面形成一层安全且无缝的保护层。相比传统的液体粘结剂，即便混凝土开裂或位移，MARSEAL®也不会开裂，而且MARSEAL®几乎不受紫外线照射的影响，因此这种产品无需过多的维护。

Applications



Abrasion – Sliding
Alkaline Mine Water
Abrasion - Impingement
Acetic Acid
Acetic Anhydride
Acetone
Acid Mine Water
Aluminum Chloride
Aluminum Hydroxide
Aluminum Nitrate
Aluminum Phosphate
Aluminum Sulfate
Ammonium Hydroxide
Ammonium Nitrate
Ammonium Phosphate
Ammonium Sulfate
Barium Chloride
Battery (Sulfuric) Acid
Bleach (NaOCl) (Sodium Hypochlorite)
Boric Acid
Brine
Calcium Chloride
Calcium Hydroxide
Calcium Hypochlorite
Caustic Potash
Caustic Soda
Chlorine (water or gas)
Chromic Acid
Copper Chloride
Copper Cyanide
Copper Sulfate
Deionized/Distilled Water
Dextrose
Diammonium Phosphate
Electro)plating Solutions
Ethyl Alcohol
Ethylene Glycol
Ferric (Iron III) Chloride
Ferric (Iron III) Sulfate
Ferrous (Iron II) Chloride
Ferrous (Iron II) Sulfate
Fluorosulfonic Acid
Formaldehyde
Formic Acid
Glucose
Glycerine
Gold Chloride
Gypsum Ore
Gypsum (wet)
Hexane
Hydrobromic Acid
Hydrofluoric Acid
Hydrofluorosilicic Acid (HFS)
Hydrogen Sulfide (wet)
Hypochlorous Acid
Isobutyl Alcohol
Isopropyl Alcohol
Lactic Acid
Lead Acetate
Lead Nitrate
Lead Sulfate
Lime Hydrated
Lime Water
Lye Solution
Magnesium Chloride
Magnesium Hydroxide
Magnesium Nitrate
Magnesium Sulfate
Maleic Acid
Malic Acid
Manganese Chloride
Manganese Sulfate
Mercuric Cyanide
Methyl Alcohol
Mineral Spirits
Naphtha
Natural Gas
Nickel Acetate
Nickel Chloride
Nickel Nitrate
Nickel Sulfate
Nitric Acid
Oxalic Acid
Petroleum Oils
Phosphoric Acid
Phthalic Acid (Powder)
Potassium Cuprocyanide
Potassium Cyanide
Potassium Hydroxide (Potash)
Potassium Nitrate
Potassium Sulfate
Propyl Alcohol
Salicylic Acid
Sea Water
Sewage Sludge (Activated)
Silver Nitrate
Soda Alum
Soda Ash
Sodium Antimonate
Sodium Bicarbonate
Sodium Borate
Sodium Carbonate
Sodium Chlorite
Sodium Cyanide
Sodium Hydroxide
Sodium Sulfate
Sodium Sulfite
Starch Syrup
Sucrose Solution
Sulfonic Acid
Sulfur Dioxide (FGD Scrubber)
Sulfuric Acid
Sulfurous Acid
Trisodium Phosphate
Zinc Acetate
Zinc Chloride
Zinc Cyanide
Zinc Sulfate

应用领域



磨损 - 滑动
碱性矿井水
撞击磨损
醋酸
乙酸酐
丙酮
酸性矿井水
三氯化铝
氢氧化铝
硝酸铝
磷酸铝材料
硫酸铝
氢氧化铵
硝酸铵
磷铵
硫酸铵
氯化钡
电池酸（硫酸）
漂白水（次氯酸钠）
硼酸
盐水
氯化钙
氢氧化钙
漂粉精
苛性钾
苛性钠
氯（水或气体）
铬酸
氯化铜
氰化铜
硫酸铜
去离子/蒸馏水
葡萄糖（右旋）
磷酸二铵
电镀解决方案
乙醇
乙二醇
三氯化铁
硫酸铁
氯化亚铁

硫酸亚铁
氟磺酸
甲醛炎性
蚁酸
葡萄糖
甘油
氯化金
石膏矿
石膏（湿）
正己烷
氢溴酸
氢氟酸
氟硅酸
硫化氢（湿）
次氯酸
异丁醇
异丙醇
乳酸
醋酸铅
硝酸铅
硫酸铅
石灰水合
石灰水
碱液
氯化镁
氢氧化镁
硝酸镁
硫酸镁
马来酸
苹果酸
氯化锰
硫酸锰
氰化汞
甲醇
矿物油
石脑油
natural 气体
醋酸镍
氯化镍
硝酸镍

硫酸镍
硝酸
草酸
石油
磷酸
邻苯二甲酸（粉）
氰亚铜酸盐钾
氰化钾
氢氧化钾（钾盐）
硝酸钾
硫酸钾
丙醇
水杨酸
海水
污水污泥（活性）
硝酸银
苏打明矾
纯碱
铈酸钠
碳酸氢钠
硼酸钠
纯碱
亚氯酸钠
氰化钠
氢氧化钠
硫酸钠
亚硫酸钠
淀粉糖浆
蔗糖溶液
磺酸
二氧化硫（FGD洗涤器）
硫酸
亚硫酸
磷酸三钠
醋酸锌
氯化锌
氰化锌
硫酸锌

部分业绩参考

公司	国家/地区	涉及行业	年份
Innophos	墨西哥	农业/磷酸	2006
Pena Colorada	墨西哥	采矿业	2010
Fertinal	墨西哥	农业/磷酸	2010
Huaying Phosphoric	中国	磷化槽	1999
Raytheon Wengfu	中国	化肥	1998
Commonwealth Edison	美国	采石业	1972
Orlando Public Utilities	美国	电力/煤炭	1986
Agrium	美国	磷化设备	1990
Intermountain Power Project	美国	管路	2000
Public Service of Colorado	美国	环境工程	1972
South Carolina Public Service	美国	采石业	1978
Seminole Electric	美国	化学调整槽	1991
Santee Cooper	美国	电力/煤炭	1995
Sask Power	加拿大	管路	1994
Sual Power Plant	菲律宾	电厂洗涤器	2000
Virginia Electric & Power	美国	水泥槽	1993
Utah Power & Light	美国	化学处理槽	1980
Cincinnati Gas & Electric	美国	化学调整槽	1980
Allegheny Power	美国	水泥槽	1993
Mosaic Phosphates	美国	磷化槽	1997

References

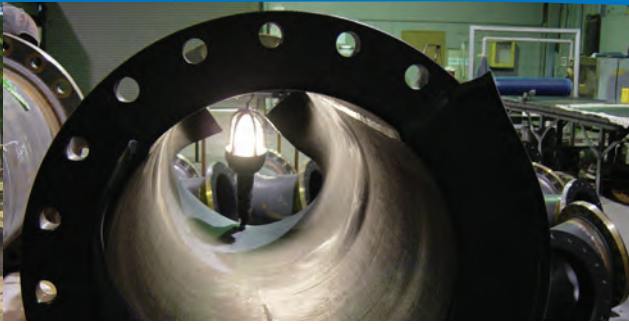
Company	Location	Application	Year in Service
Innophos	Mexico	Fertilizer / Phosphoric Acid	2006
Pena Colorada	Mexico	Iron Ore Mining	2010
Fertinal	Mexico	Fertilizer / Phosphoric Acid	2010
Huaying Phosphoric	China	Phosphoric	1999
Raytheon Wengfu	China	Chemical Fertilizer	1998
Commonwealth Edison	IL, USA	Limestone Scrubbing	1972
Orlando Public Utilities	FL, USA	Power Plants/Coal	1986
Agrium	ID, USA	Phosphate Evaporators	1990
Intermountain Power Project	UT, USA	Pipe Lining	2000
Public Service of Colorado	CO, USA	Particulate Removal	1972
South Carolina Public Service	SC, USA	Limestone Scrubbing	1978
Seminole Electric	FL, USA	Reline Surge Tanks	1991
Santee Cooper	SC, USA	Power Plants/Coal	1995
Sask Power	Sask, Canada	Rubber Lined Pipe	1994
Sual Power Plant	Philippines	Scrubber	2000
Virginia Electric & Power	VA, USA	Wet Limestone Slurry	1993
Utah Power & Light	WY, USA	Sodium Carbonate	1980
Cincinnati Gas & Electric	KY, USA	Lime/Surge Tanks	1980
Allegheny Power	PA, USA	Wet Limestone Slurry	1993
Mosaic Phosphates	FL, USA	Phosphate Tank Lining	1997

Teamwork
团队合作

Dedication
敬业奉献

Quality
优质产品

Experience
丰富经验



布莱尔
橡胶公司

BLAIR
RUBBER COMPANY

5020 Panther Parkway
Seville, Ohio 44273

上海市长宁区万航渡路2453号
周家桥园 D楼1层

Toll Free: 800-321-5583
Fax: 330-769-9334

Tel: 86 21 51187889
Fax: 86 21 51187878

www.blairrubber.com
email: sales@blairrubber.com

www.blairrubber.com
email: michael@blairrubber.net

